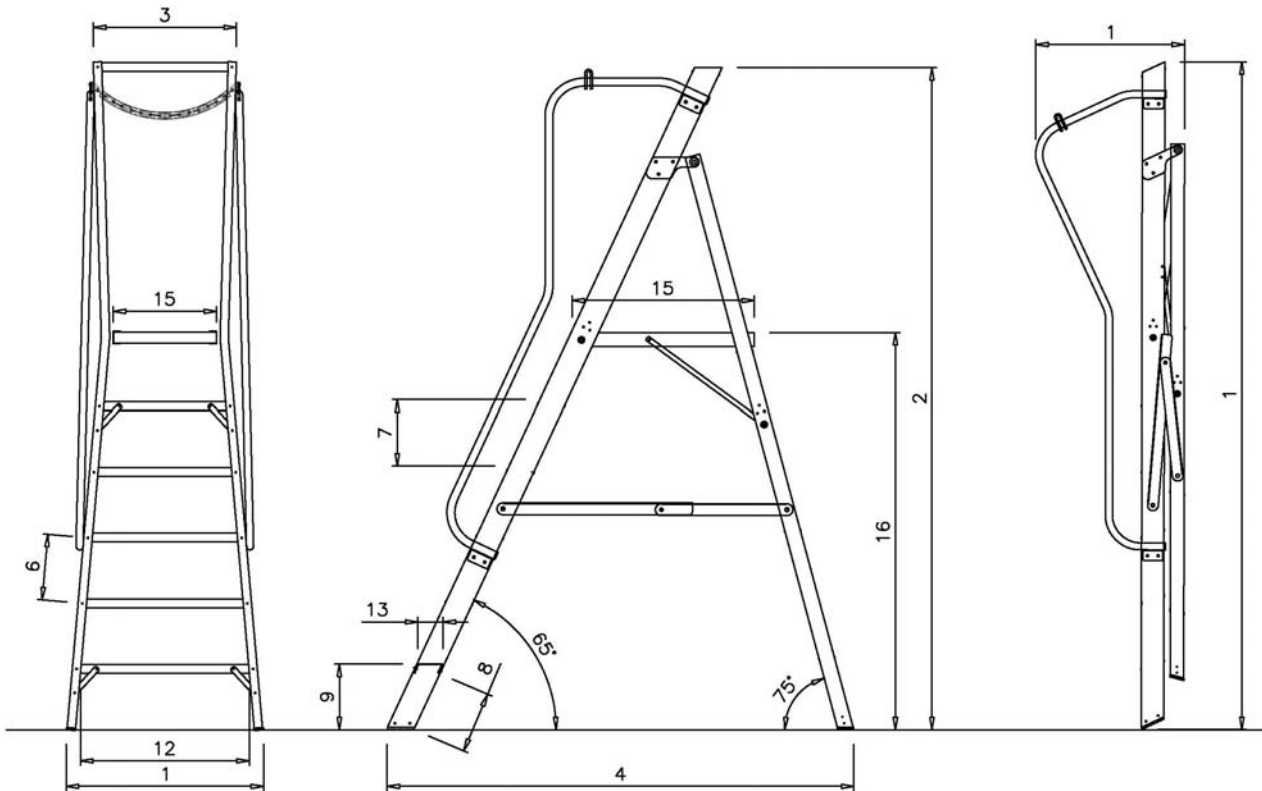


MEGASTEPS – Large Platform GRP Steps



Note: All dimensions in mm unless otherwise stated.		MODEL			
ITEM	DESCRIPTION	2 TREAD 300902	4 TREAD 300904	6 TREAD 300906	8 TREAD 300908
1	CLOSED HEIGHT/WIDTH/DEPTH	1445x541x453	1914x622x453	2381x705x453	2850x787x453
2	OPEN HEIGHT	1277	1701	2125	2550
3	OUTSIDE WIDTH AT TOP	500	500	500	500
4	OPEN SPREAD EXTERNAL	878	1189	1500	1812
5	NUMBER OF TREADS	2	4	6	8
6	TREAD PITCH	235	235	235	235
7	VERTICAL RISE PER TREAD	212	212	212	212
8	BOTTOM HORN LENGTH	198	198	198	198
9	VERTICAL RISE GROUND TO BOTTOM RUNG	211	211	211	211
10	FRONT STILE WIDTH x DEPTH	80 x 30	80 x 30	80 x 30	80 x 30
11	REAR STILE WIDTH x DEPTH	48 x 30	48 x 30	48 x 30	48 x 30
12	BOTTOM TREAD WIDTH INTERNAL	439	521	603	685
13	TREAD DEPTH	80	80	80	80
14	WEIGHT (KG)	10.5	13.5	16	19
15	PLATFORM SIZE	586 x 370	586 x 370	586 x 370	586 x 370
16	PLATFORM HEIGHT	425	850	1275	1700
17	SAFE WORKING HEIGHT	2425	2850	3275	3700

Technical Data:

- Duty Rating: 110kg (Materials + User + Tools)
- Slip Resistant Feet
- Safety Chained Large Working Platform

- Maximum static vertical load: 150kg
- Aluminium Treads and Fibreglass Stiles

Classification:

Approved to EN 131